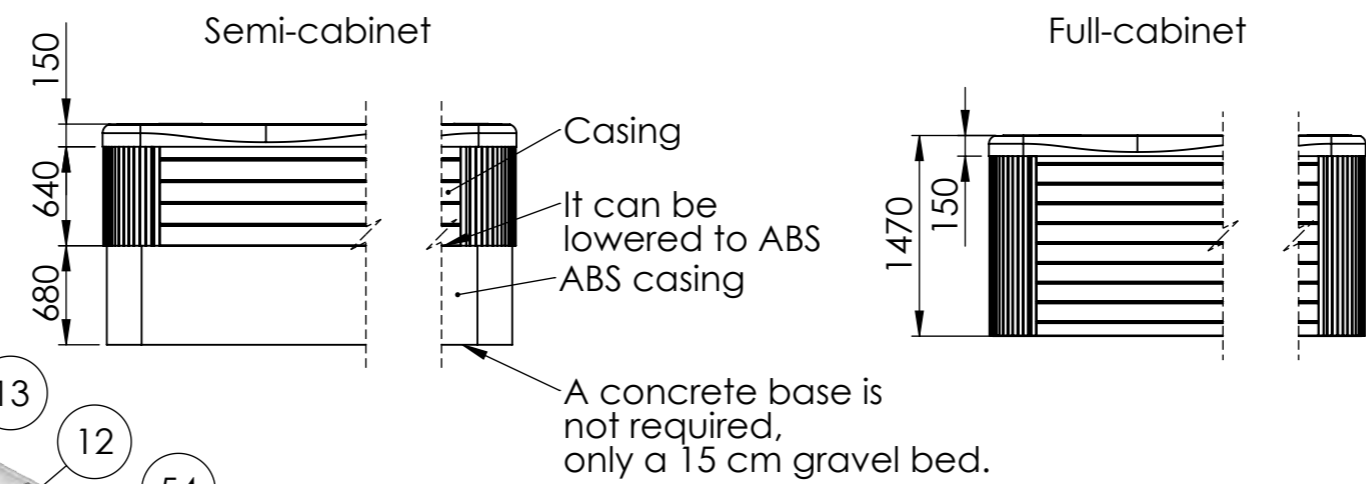


No.	Part No.	Description	Pcs.
1	ABE0534	Iron pipe 21,3mm	3
2	ABE0110	WPC slot 40x33x2200 black 0.10 m	50
3	AKU2625	Fountain laminar V3	9
4	AKU1892	Air Regulator - house led lighted V2	6
5	AKU1893	On-Off top house 33 transparent V2	3
6	AKU2647	Led housing with seal	32
7	AKU2219	Nut for ledhouse	32
8	AKU1891	Water Diverter 60 - LED lighted V2	1
9	AKU1830	Filter house for floating 50 sqf filters	3
10	AKU1916	Waterfall 276x51x48	1
11	AKU2157	Adapter for swim theter V2	1
12	ABE0413	Counterflow housing	1
13	AKU1720	Suction 48	1
14	ABE0505	Suction head 2.5" Chrome (high)	12
15	AJ00281	Sealing for self adjusting suction head nut Life	12
16	AJ00280	Self adjusting nut for suction head Life	12
17	AE00658	Silicone sealing for suction 2"	8
18	AJ00253	Jet house 2" with sealing V4 1/3	7
19	AJ00287	Nozzle housing nut self-aligning 2" V5 2/3	7
20	AJ00288	Washer for washer housing 2" V5 3/3	7
21	AJ00254	Jet house 3" with sealing V4 1/3	22
22	AJ00290	Washer for washer housing 3" V5 3/3	22
23	AJ00289	Jet housing nut self-aligning 3"	22
24	AJ00255	Jet house 5" with sealing V4 1/3	12
25	AJ00261	Jet housing nut self-aligning 5"	12
26	AJ00258	Washer jet housing nut self-aligning for 5" V4 3/3	12
27	AJ00291	Jet ozone with sealing V2	2
28	AJ00292	Ozone nut sel-aligning V2	3
29	AJ00246	Washer self-aligning	2
30	AJ00247	Jet water circulation self-leveling	1
31	AJ00246	Sealing for jet water circulation	1
32	ACM0080	Spa Pump 3 HP - One Speed	2
33	ACM0954	Motor 50Hz anti-current arrester 2200W (WP300a-II)	3
34	ACM0755	Control box In.YE-3	1
35	ACM0846	Circulation pump WTC50M 250 W 0.33 Hp	2
36	ABE0621	Ozon mixer - Housing	2
37	ABE0620	Mixer housing	2
38	ACM1092	UL ozone	2
39	ACM0776	Control BOX - IN.Yt-8 (3Kw)	1
40	ACM0912	Control Panel - IN.K1000 V2	2
41	ACM0901	Wifi receiver in.touch 2 Gecko EU&UK	2
42	ACM0881	In.Grid external heater controller and 4 ways connector	1
43	ACM0998	IN.STREAM-2 with quick connector	1
44	ACM0849	Subwoofer 288W	1
45	ACM0874	Speaker 3" (2 way)	4
46	AJ00214	Jet 2" - transparent 1 Hole transparent V3 Wells	7
47	AJ00217	Jet 3" - transparent 1 Hole Rotation transparent V3 Wells	22
48	AJ00219	Jet 5" - transparent 1 Hole rotational transparent V3 Wells	12
49	AF00045	pillow holder	6
50	ACM0875	Grille for speaker 3" (2 way)	4
51	AKU1896	On-off tap grip Wells V2	3
52	AKU1832	Filter House - Skimmer Cover round	3
53	AKU1842	Skimmer house with Wells logo	3
54	AF00061	Pillow 300x126x54 white ribbed	3
55	AKU1895	Air regulator grip Wells V2	6
56	AKU1894	Water Diverter - Grip Wells V2	1
57	AJ00294	Jet water circulation self-leveling light grey 48 Life	1
58	AJ00284	Circulation jet washer self-aligning 48 Life	1
59	AJ00283	Circulation jet nut self-aligning 48 Life	2



You must install a 30 mA residual-current device (RCD)

Sheet name: Rio_Grande_W-Flow_Life_EU_ENG		Product family: SwimLife	
File name: FJ_WU00025_HUN_ENG_Rio_Grande_W-flow_Life_2019_úszómedence		Projection	
Spa section electrical need: Min.El.nds.: 230V - 1x25A - 50Hz / Opt.El.needs: 400V - 3x16A - 50Hz			
Swim section electrical need: 400V - 3x16A - 50Hz			
Dimension SPA	2350x6000x1470 mm	Spa section control box:	GECKO YE-3 + K1000
Weight of SPA:	1300 kg	Swim section control box:	GECKO YT-8 + K1000
1 person ~75 kg	Water disp.: 525 kg	Rim height:	150 mm
Minimum water: 6600 liter	Created: 2024. 08. 01.	Approved by:	Frankó Csaba
		Pr. No: P-00133	Number: WU00025
		Fa. No: F-0000069	D
	Drawer: franko.csaba - 2024. 08. 01. 10:59:47	A3	M 1:50
			page 4 / 6

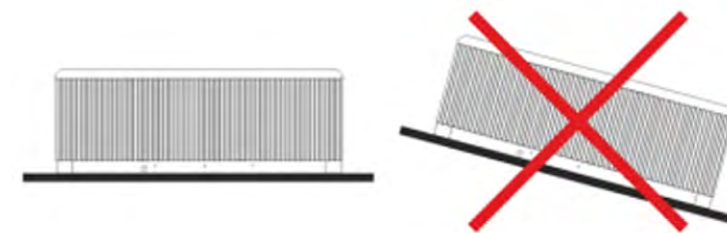
INSTALLATION INSTRUCTIONS

Installation, connection and electrical installation can be done only by professionals!

The given dimensions are for information only, they may differ from reality due to the manufacturing technology of pools.

ATTENTION!

Pools can be installed only when electric shock protection compliance of the installed residual-current device is stated by the installation personnel in written form.



1. General installation instructions

A solid, level base (maximum 0.5% slope) is essential for setting up the pool. Make sure the cover or base is properly supporting the pool.

For this, you need to know the maximum load capacity of the cover. Consult a qualified architectural professional or structural engineer. To determine the weight, contents and parts of the pool, refer to the data table of the pool. This weight should not exceed the calculated static capacity per square meter, otherwise it may cause serious damage to the pool and the substrate. **60 cm of space is required around the pool**

provided for servicing, if this cannot be done, in the event of servicing, advance notice must be given and access to the pool must be ensured! It is advisable to create a water confluence on the outlet side of the pool. Its purpose is to drain rainwater and splashing water from around the pool, and also to allow the water to flow away in case the pool is lowered at the bottom outlet.

a. Indoors/Basement

In case of placing the pool inside a building take into consideration the following requirements: The base must have a proper drain channel to prevent water collecting around the pool.

In case a new place is built for the pool, it is strongly recommended to install a floor drain to prevent damage due to water overflow or mechanical failure, etc.

If no floor drain is installed, our Company takes no responsibility for occurring damages.

Inside the room where the pool is installed, humidity can increase significantly. To prevent precipitating water and the occurrence of fungus, proper ventilation of the room is highly recommended.

It is also suggested to install a dehumidifier device in the room. Acryl absorbs heat from the sun rapidly, due to which the pool can suffer significant heat damage. In case the pool is installed between glass structures, please prevent the sunrays to reach the pool directly through the glass, otherwise temperatures can rise too high.

b. Outdoors/Closed terrace

If the pool is installed outdoors, it is recommended to build a horizontal, reinforced concrete base with min. 10-15 cm thickness. Do not expose the empty pool direct sunlight without proper protection (thermal cover on top). Please keep in mind that long term exposure to sunlight will damage the pool and its accessories.

c. Recessed installation

In case of recessed installation a **60 cm wide manhole must be built around the pool** for proper access and servicing.

Only the part of the pool that is **under the acrylic rim** can be recessed. In case these conditions are not met, installation of the pool may fail!

It is appropriate to make the drain channel in the base on the drain side of the pool. Its purpose is to take away splash water around the pool, or drain the released water.

It is also necessary to provide water drainage in the manhole.

The manhole should also ventilate properly. It is recommended to install an exhaust fan or other ventilation device.

If raising the pool from its recessed place is necessary, the customer is responsible for all related expenses.

2. Electrical installation

You must install a circuit breaker dedicated only for the pool, no other devices allowed to connect. You must also install a 30mA residual-current device (RCD).

Check your product type: WU00025 Rio Grande 2019 W-Flow

Check the minimal electric needs of Spa section: 230V 1x25A 50Hz

Check the optimal electric needs of Spa section: 400V 3x16A 50Hz

Check the electric needs of Swim section: 400V 3x16A 50Hz

Based on the information above, choose the appropriate cable size for your product.

For electric installation in case of cables not exceeding 10 meters in length, the appropriate cable cross section and length is given in the table on the right.

Kábel keresztmetszet/ Cable profile		
1x16A	3x2,5mm ²	230 V
1x20A	3x4mm ²	230 V
1x25A	3x4mm ²	230 V
3x16A	5x4mm ²	400 V

- For cable lengths exceeding 10 meters please consult a professional!

- In all cases, the electrical installation of the pool has to be done by an electrician.

- In case the optimal energy needs of the pool are met: the Spa pump and heating can work simultaneously.

- In case only the minimal energy needs of the pool are met: the Spa pump and heating can not work simultaneously.

- Installing the cables is recommended through the bottom cover (tray) by drilling a hole and using a cable gland. Recommended direction is shown on the drawing.

Min. cable length for installation is 3 m.

- The exact way of electrical installation is always unique, highly dependant on the location and environment of the pool.

Additional electrical installation (cable, circuit breaker and residual-current device) is the customer's responsibility.

These parts are not included in the pool packaging, need to be purchased separately.

Every pool has a dedicated installation drawing.

Make sure that the pool is connected to a 30 mA residual-current device.

Use copper wiring only.

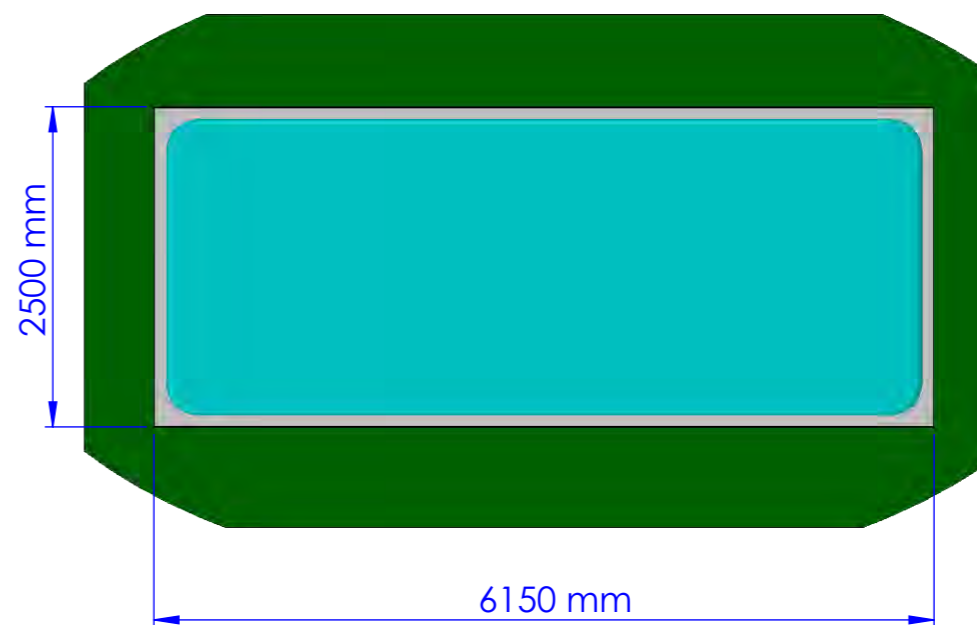
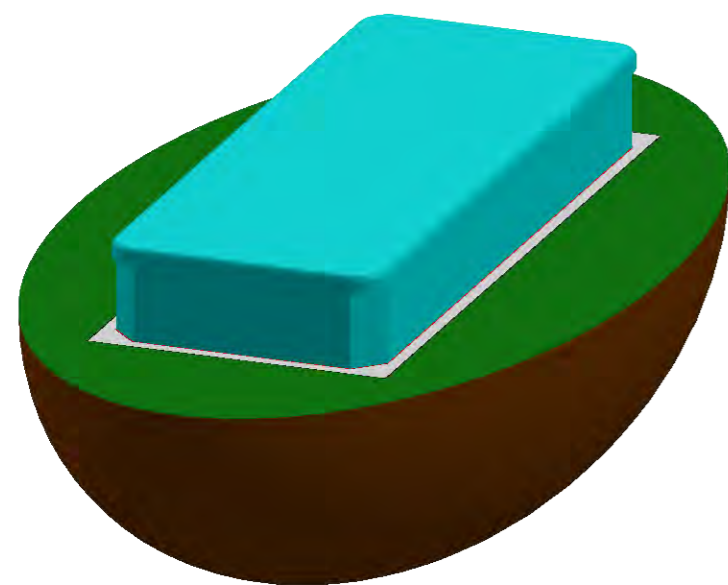
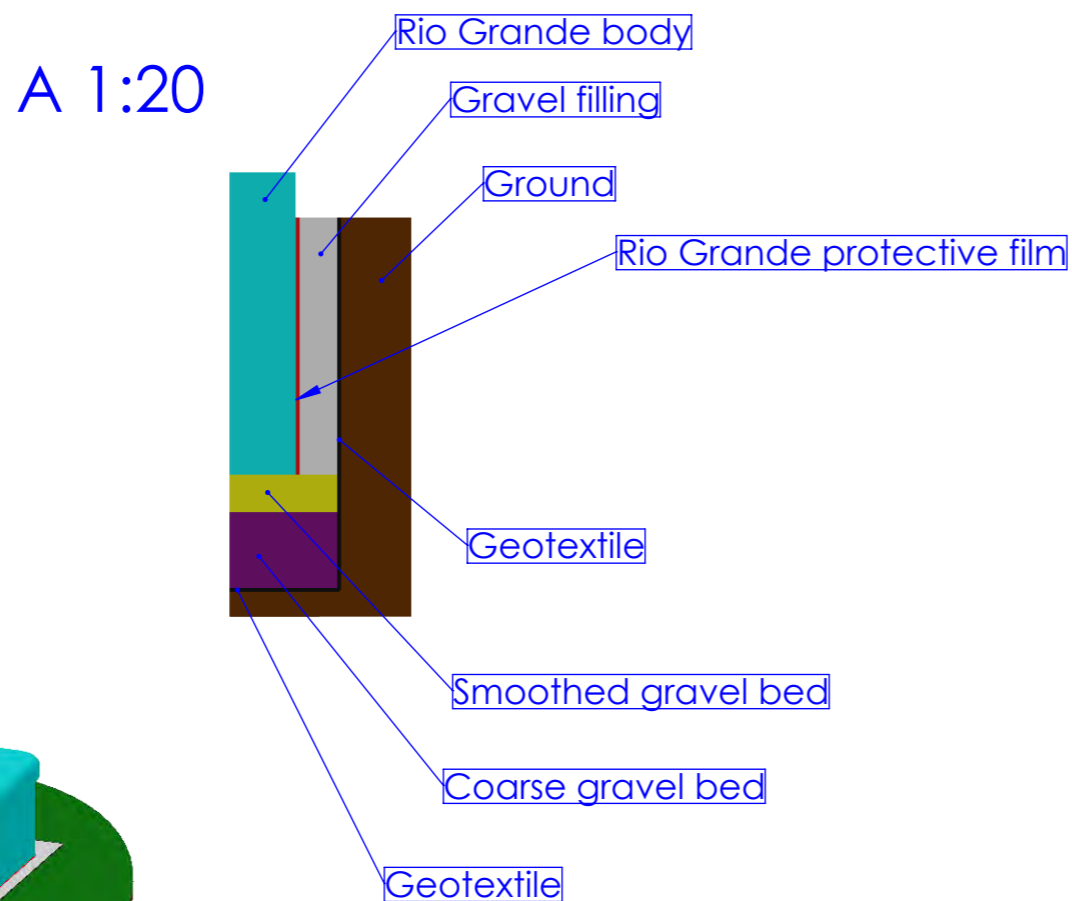
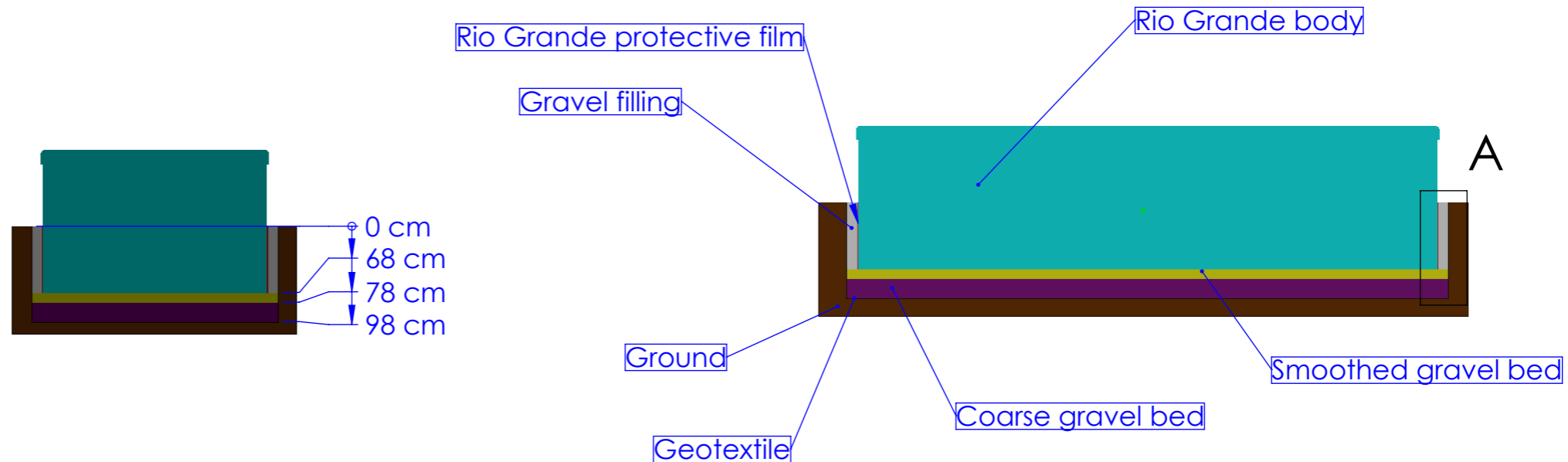
If a fuse fails, replace it only with same type of fuse with same technical parameters.

The device must be connected to the house's Equipotential Bonding Grid.

We inform you that the functioning of Spa pumps listed in the bill of materials on the first page may differ from reality. For example, if 'ACM0394 Spa Pump 3/0.6 HP - Two Speed' pump is listed as two speed, but in reality it only works with one speed, that might be because for the best massage experience a bigger influx of water is needed, thus the pump will work with its highest speed.

1 person ~75 kg
Water disp.: 525 kg
Minimum water: 6600 liter

Sheet name: INFO_ENG		Product family: SwimLife	
File name: FJ_WU00025_HUN_ENG_Rio_Grande_W-flow_Life_2019_úszómedence		Projection	
Spa section electrical need: Min.El.nds.: 230V - 1x25A - 50Hz / Opt.El.needs: 400V - 3x16A - 50Hz			
Swim section electrical need: 400V - 3x16A - 50Hz			
Dimension SPA: 2350x6000x1470 mm	Spa section control box: GECKO YE-3 + K1000		
Weight of SPA: 1300 kg	Swim section control box: GECKO YT-8 + K1000		
Rim height: 150 mm	Approved by: Frankó Csaba	Pr. No: P-00133 Fa. No: F-0000069	Number: WU00025
Created: 2024. 08. 01.	Drawer: franko.csaba - 2024. 08. 01. 10:59:47	A3	M 1:50
		page 5 / 6	



Product family: **SwimLife**

Sheet name: SEMICABINET_ENG		Projection			
File name: FJ_WU00025_HUN_ENG_Rio_Grande_W-flow_Life_2019_úszómedence					
Spa section electrical need: Min.El.nds.: 230V - 1x25A - 50Hz / Opt.El.needs: 400V - 3x16A - 50Hz					
Swim section electrical need: 400V - 3x16A - 50Hz					
Dimension SPA 2350x6000x1470 mm		Spa section control box: GECKO YE-3 + K1000			
Weight of SPA: 1300 kg		Swim section control box: GECKO YT-8 + K1000			
Rim height: 150 mm		Approved by: Frankó Csaba		Pr. No: P-00133 Fe. No: F-0000069	
Minimum water: 6600 liter		Created: 2024. 08. 01.		Number: WU00025	
		Drawer: franko.csaba - 2024. 08. 01. 10:59:47		A3 M 1:50	

1 person ~75 kg
Water disp.: 525 kg
Minimum water: 6600 liter